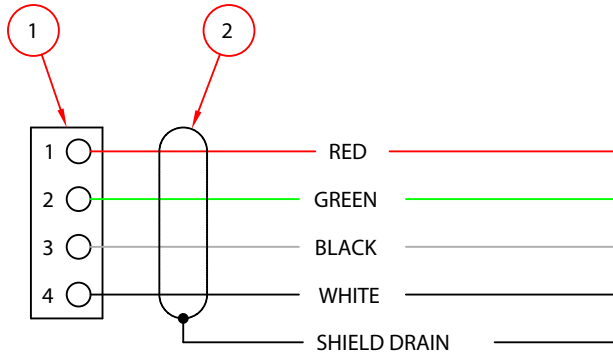
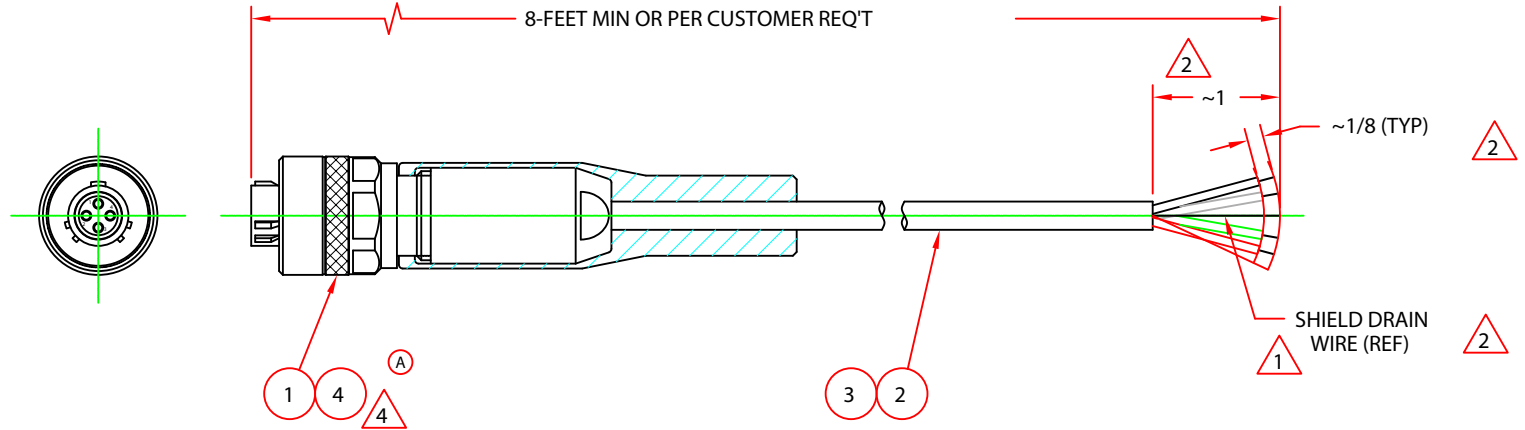


**NOTE:**

- 1 TRIM FOIL SHIELD FLUSH WITH CABLE JACKET, TYP BOTH ENDS. TRIM SHIELD DRAIN WIRE FLUSH WITH CABLE JACKET ON CONNECTOR END ONLY
- 2 STRIP CABLE JACKET AND LEAD INSULATION AS SHOWN, TWIST & TIN LEADS & SHIELD DRAIN WIRE
- 3 SHIP A REDUCED COPY OF THIS DRAWING WITH EACH ASS'Y SHIPMENT
- A 4 ASSEMBLE PER WI0030, AS APPLICABLE



WIRING DIAGRAM

NEXT ASSEMBLY		REFERENCE DRAWING	
FINAL		FR0015	
3		A CONNECTOR ASS'Y WI0030	
1.5"	31ST35080N	HEAT SHRINK TUBING	4
AR	1300060/40	SOLDER	3
8.5"	122204F008	CABLE, SILICONE JACKETED	2
1	100SFEDF04	CONNECTOR, JUPITER	1
X	230054.002	CABLE ASS'Y	
QTY.	PART NO.	DESCRIPTION	ITEM

UNLESS OTHERWISE SPECIFIED DIMENSIONS ARE IN INCHES				REVISIONS			
TOLERANCES ON: FRACTIONS ±1/64				LET	DATE	BY	ECN
DECIMALS-				-	9/19/05	FS	11026
.XX ±.01				A	10/5/05	FS	11044
.XXX ±.005							
ANGLES ±1/2°							
63 MACHINE FINISH (ALL SURFACES)				THIRD ANGLE PROJECTION			
REMOVE BURRS & BREAK SHARP EDGES .015 MAX.							
MACHINE FILLETS TO .015 R. MAX.							
ALL DIAMETERS TO BE CONCENTRIC WITHIN .010 F.I.M.				SCALE 1/1 MATERIAL SEE B/M DRAFTSMAN DATE F.SORCE 9/19/05			
CHAMFER ALL MALE THREADS 45°±5° TO MINOR DIAMETER				SEE ENGINEERING CHANGE NOTICE (ECN) FOR DRAWING APPROVALS			
C'SINK ALL FEMALE THREADS 90°±10° TO MAJOR DIAMETER				DRAWING NO. 230054			
				WHEATFIELD, NEW YORK, USA			

**CABLE ASS'Y, MATING, JUPITER  
CONNECTOR WITH 4-CONDUCTOR,  
SILICONE JACKETED CABLE**

230054