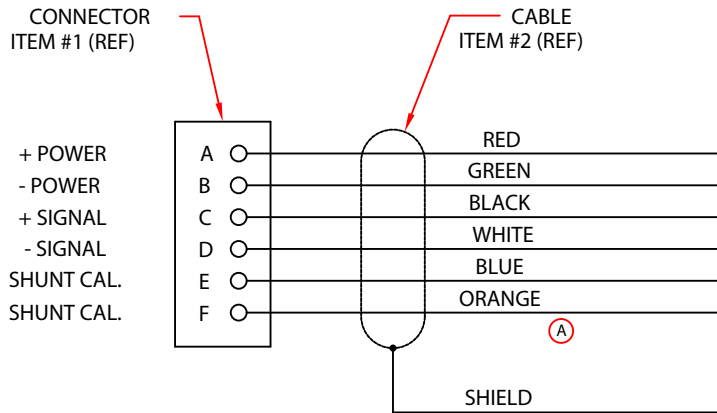
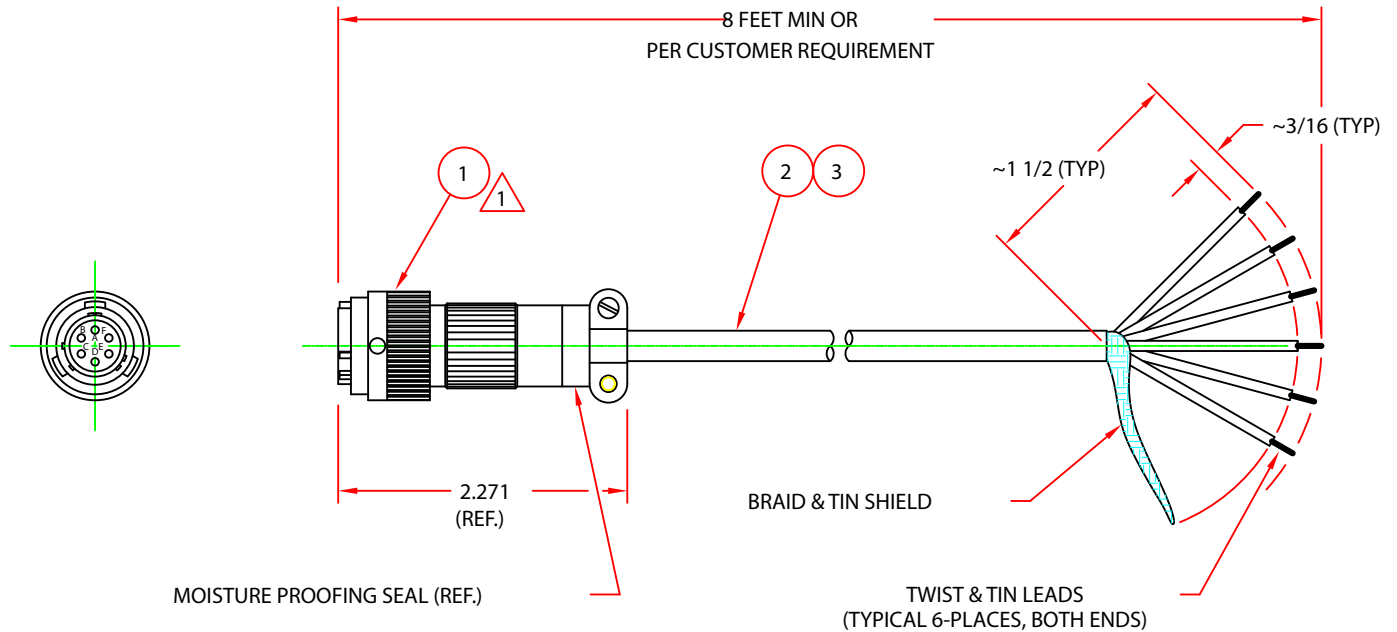


**NOTE:**

1 SHIELD ON CONNECTOR END TO BE TRIMMED FLUSH WITH CABLE JACKET (N/C)

2. ALL SOLDERING TO BE PER GOOD COMMERCIAL PRACTICE



WIRING DIAGRAM

NEXT ASSEMBLY		REFERENCE DRAWING	
FINAL		FR0015 (A)	
AR	1300060/40	SOLDER	
8'	121806F002	CABLE, BELDEN #83656	
1	10MSPT11J6	CONNECTOR, ARRAY #PW06JF10-065	
QTY.	PART NO.	DESCRIPTION	ITEM

UNLESS OTHERWISE SPECIFIED DIMENSIONS ARE IN INCHES				REVISIONS				MATING CABLE ASSEMBLY, 6-CONDUCTOR CABLE WITH 6-PIN MOISTURE PROOF BAYONET LOCK CONNECTOR (A)			
TOLERANCES ON FRACTIONS ±1/64 DECIMALS- XX ±.01 XXX ±.005 ANGLES ±1/2"				LET	DATE	BY	ECN	SCALE 1/1 MATERIAL SEE B/M DRAFTSMAN DATE M.CECERE 11/10/99 SEE ENGINEERING CHANGE NOTICE (ECN) FOR DRAWING APPROVALS DRAWING NO. 230445			
63 MACHINE FINISH (ALL SURFACES) REMOVE BURRS & BREAK SHARP EDGES .015 MAX. MACHINE FILLETS TO .015 R. MAX. ALL DIAMETERS TO BE CONCENTRIC WITHIN .010 F.I.M. CHAMFER ALL MALE THREADS 45°±5° TO MINOR DIAMETER C'SINK ALL FEMALE THREADS 90°±10° TO MAJOR DIAMETER				-	11/10/99	MC	8297				
				A	7/14/03	RH	9974				
				THIRD ANGLE PROJECTION				WHEATFIELD, NEW YORK USA			