

A submersible level transmitter with a twist!

- ◆ The DLT series allows for a quick sensor swap without the removal of your installed cable. No special tools are required. Simply pull up sensor, twist the sensor coupling sleeve till it is no longer engaged and then just separate the two halves!
- ◆ The Viatran Model 596 DLT is a submersible level transmitter specifically designed to meet the challenging demands of liquid measurement. The ability to detach the sensor can be an enormous time saver when or if it's ever needed.
- ◆ Ranges can be set from 0-30 Inches W.C. to 0-335 Feet W.C. or equivalent in Meters or PSI by Viatran at the time of manufacturing. This capability allows Viatran to rapidly ship the transmitter within one or two days. A real cost and time saver!
- ◆ Polyurethane (PUR) cable is the most popular, Polyvinyl Chloride (PVC), Fluorinated Ethylene-Propylene (FEP) & Thermoplastic Elastomer (TPE) cables are also offered.
- ◆ Liquid Level & Depth, Water & Wastewater, Lift Stations, Reservoirs & Dams, Rivers, Holding Ponds, Wells, In-ground/Above Ground Tanks, and Inventory Tank Gauging.



Performance

Standard Pressure Ranges From0-30" W.C. to 0-335 Feet W.C. or equivalent in Meters or PSI.
 Accuracy≤ +/-0.1% FSO
 [Combined Non-Linearity (BFSL), Hysteresis & Repeatability]
 Compensated Temperature Range-4° to 176° F (-20 to 80° C)
 Operating Temperature Range-13° to 185° F (-25 to 85° C) Note: Medium must not freeze near sensor
 Storage Temperature Range-13° to 185° F (-25 to 85° C)
 Long Term Stability (%FSO)≤ +/- 0.1% FSO / year at reference conditions
 Thermal Effect on Zero≤ +/- 0.16% FSO per 100° F
 Thermal Effect on Span≤ +/- 0.16% FSO per 100° F

Electrical

Output Signal4-20 mA
 Supply Voltage12-36 Vdc
 Power Supply Regulation< +/- .005% FSO per volt
 Circuit ProtectionReverse polarity protected, CE marked
 RFI/EMICE EMC compliant as per IEC EN 61326
 Voltage Spike ProtectionWithstand 1000 volt spike per EN 61000
 Response Time<380mSec

Mechanical

Pressure ConnectionRemovable Protective POM cap
 Ingress ProtectionIP 68
 Overpressure Limit5x Minimum (≥ 167 Ft. range = 3.5x)
 Weight1.4 lbs. (without cable)

Materials of Construction

Housing316L stainless steel
 Sensor DiaphragmCeramic Al₂O₃ 96%
 O-ring SealsFKM (Standard) or EPDM (Optional)
 Removable Protective CapPOM (Polyoxymethylene)

Model 596 Detachable Level Transmitter



How to Order

MODEL	UNITS OF PRESSURE	PRESSURE RANGE	SEALS	CABLE FORMAT	CABLE LENGTH	OPTIONS
596	(1 digit)	(4 digits)	(2 digits)	(2 digits)	(3 digits)	(2 digits)

Units of Pressure

- F Feet of Water Column
- I Inches of Water Column
- M Meters of Water Column
- P PSI (Whole numbers only)

Pressure Range

Any Range from 0-30 Inches W.C. up to 335 Feet W.C. or equivalent can be specified at no additional cost.

- * Consult factory for range codes
- ** Please advise if specific gravity is other than 1

Examples of Four Digit Codes:

Range	Four Digit Codes for Range
5	= 5 0 0 0 Insert Range Code 5000
10	= 1 0 0 1 Insert Range Code 1001
15	= 1 5 0 1 Insert Range Code 1501
50	= 5 0 0 1 Insert Range Code 5001
100	= 1 0 0 2 Insert Range Code 1002
250	= 2 5 0 2 Insert Range Code 2502
835	= 8 3 5 2 Insert Range Code 8352

Seals

- GK Fluoroelastomer (FKM) -Stocked
- GD Ethylene Propylene (EPDM)

Cable Format

- PC Polyvinyl Chloride (PVC)
- TL Polyurethane Cable (PUR) *Stocked in select lengths for fast delivery
- PA Fluorinated Ethylene-Propylene (FEP)
- PB Thermoplastic Elastomer (TPE)

Cable Length

XXX Listed in Whole Meters Only (must be 3 digits - ex. 012 = 12 Meters)

Options

- EA Special Calibration Run
- FA Russian Metrology Certificate
- PW Calibrate item with meter/display
- NSR Non-Standard Range
- ZB 1/2" NPT Conduit Adapter



Example of "ZB" Conduit Connection Option on Model 596

Information is accurate to the best of Viatran's knowledge. We reserve the right to change specifications at any time. Please contact Viatran for specific order inquiries.



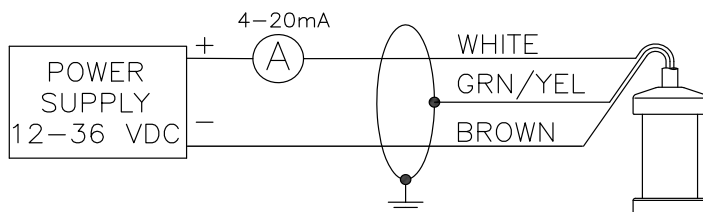
Model 596 Detachable Level Transmitter

Connection Diagrams & Wiring

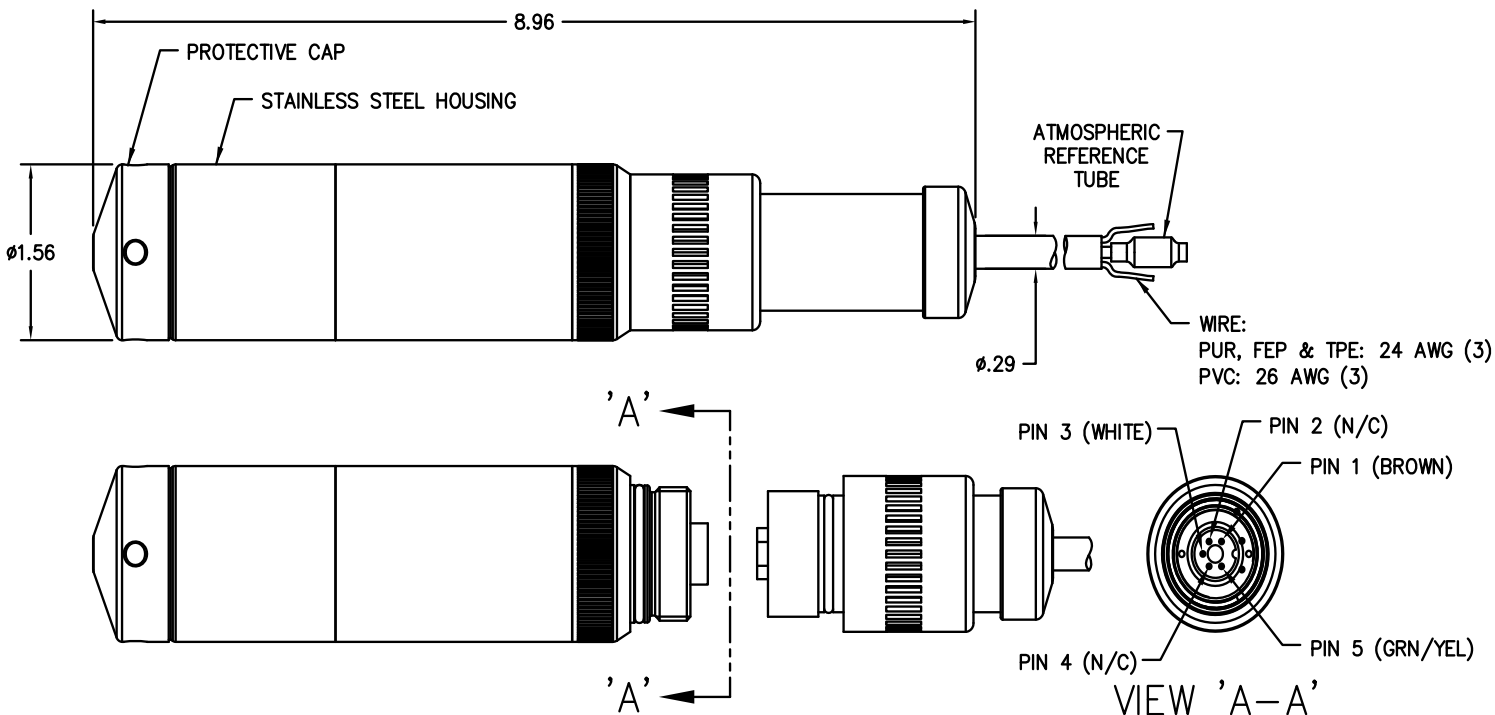
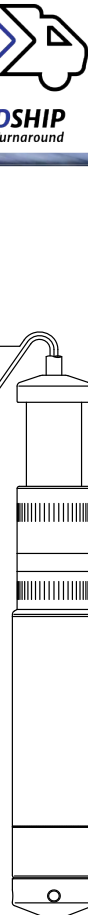
The standard wiring of your Viatran detachable level transmitter is outlined below. The wiring information is also marked on your unit.

The 596 detachable level transmitter can be powered by a DC power supply ranging from 12 to 36 volts.

See installation manual for more details.



WIRING		
WHITE	+SUPPLY	PIN 3
BROWN	-SUPPLY	PIN 1
GRN/YEL	SHIELD	PIN 5



Information is accurate to the best of Viatran's knowledge. We reserve the right to change specifications at any time. Please contact Viatran for specific order inquiries.