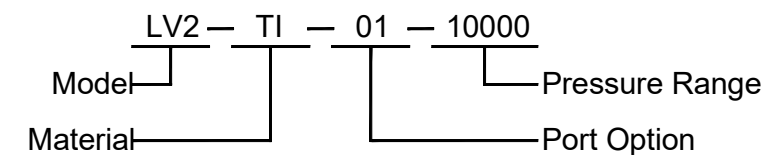


SPECIFICATIONS

SENSOR TYPE: ONE-PIECE thru-FLO™ ELEMENT
MATERIAL IN CONTACT WITH MEASURAND: Titanium 6Al4V Alloy
HOUSING MATERIAL: Cast Zinc
FULL SCALE PRESSURE: 5K, 10K, 15K, 20K or 30K PSI
MAXIMUM PRESSURE WITH NO DAMAGE: TWICE FULL SCALE (20Kpsi for 15Kpsi range, 33K for 30K limited by pressure fitting)
INTERNAL VOLUME: 1.6 MICROLITER MAXIMUM
EXCITATION VOLTAGE: 9.75 TO 16 VDC
FULL SCALE OUTPUT CHANGE: 5.000 ± 0.050 VDC
ZERO BALANCE AT 25°C: 0.500 ± 0.100 VDC (MANUAL ZERO ADJUSTMENT PROVIDED)
OPERATING TEMPERATURE: -40° TO +60°C
STORAGE TEMPERATURE: -40° TO +80°C (CABLE LIMITED)
LINEARITY AND HYSTERESIS COMBINED: WITHIN 0.25% OF FULL SCALE
THERMAL COMPENSATION ON SPAN: WITHIN 0.01% OF READING PER °C
THERMAL COMPENSATION ON ZERO BALANCE: WITHIN 0.02% OF F.S. PER °C
CALIBRATION MEDIUM: DISTILLED WATER AND IPA
MAXIMUM INSTALLATION TORQUE: 25 INCH-POUNDS for LV2-02; 55 INCH-POUNDS for LV2-01
ZERO SHIFT DUE TO TORQUING: 3% OF F.S. AT 30 INCH-POUNDS
MAXIMUM CURRENT DRAIN: 20 mA
OUTPUT IMPEDANCE: 100 OHMS MAXIMUM
SHOCK: 500 G'S ALL AXES
WEIGHT: 150 GRAMS MAXIMUM
WARM-UP TIME: 5 MINUTES MINIMUM
FULL SCALE LOAD DRIFT: LESS THAN 0.15%FS AFTER ONE HOUR WARMUP UNDER LOAD
LONG TERM STABILITY: 0.1% FULL SCALE / YEAR
DYNAMIC PRESSURE CYCLES: 100 MILLION
ISOLATION TO CASE: > 1000 MEGOHMS AT 50VDC
CABLE: 3-CONDUCTOR, SHIELDED, PVC JACKET, 12" LONG NOMINAL
Cable Color Code: 3 Wire: Red...+Exc White...+Signal Black... Common & -Signal Yellow...Shield

ORDERING INFORMATION:
Material: Titanium 6AL4V(Grade 5)
Port Options: See Views
Pressure Range: In PSI (should be a multiple of 1000)

The Following Part Number (LV2-TI-01-10000) Refers To:
Model: LV2 **Material:** Titanium 6AL4V
Port Option: 10-32 thread and Cone **Pressure Range:** 10,000 PSI



REVG ECO140708LP
 REVH ECO150320LP-1
 REVI ECO170328LP remove material option

CONFIDENTIAL - This document contains proprietary and confidential information of DJ Instruments. No part of the information contained herein may be used, reproduced or disclosed to third parties without the prior written consent of DJ Instruments.

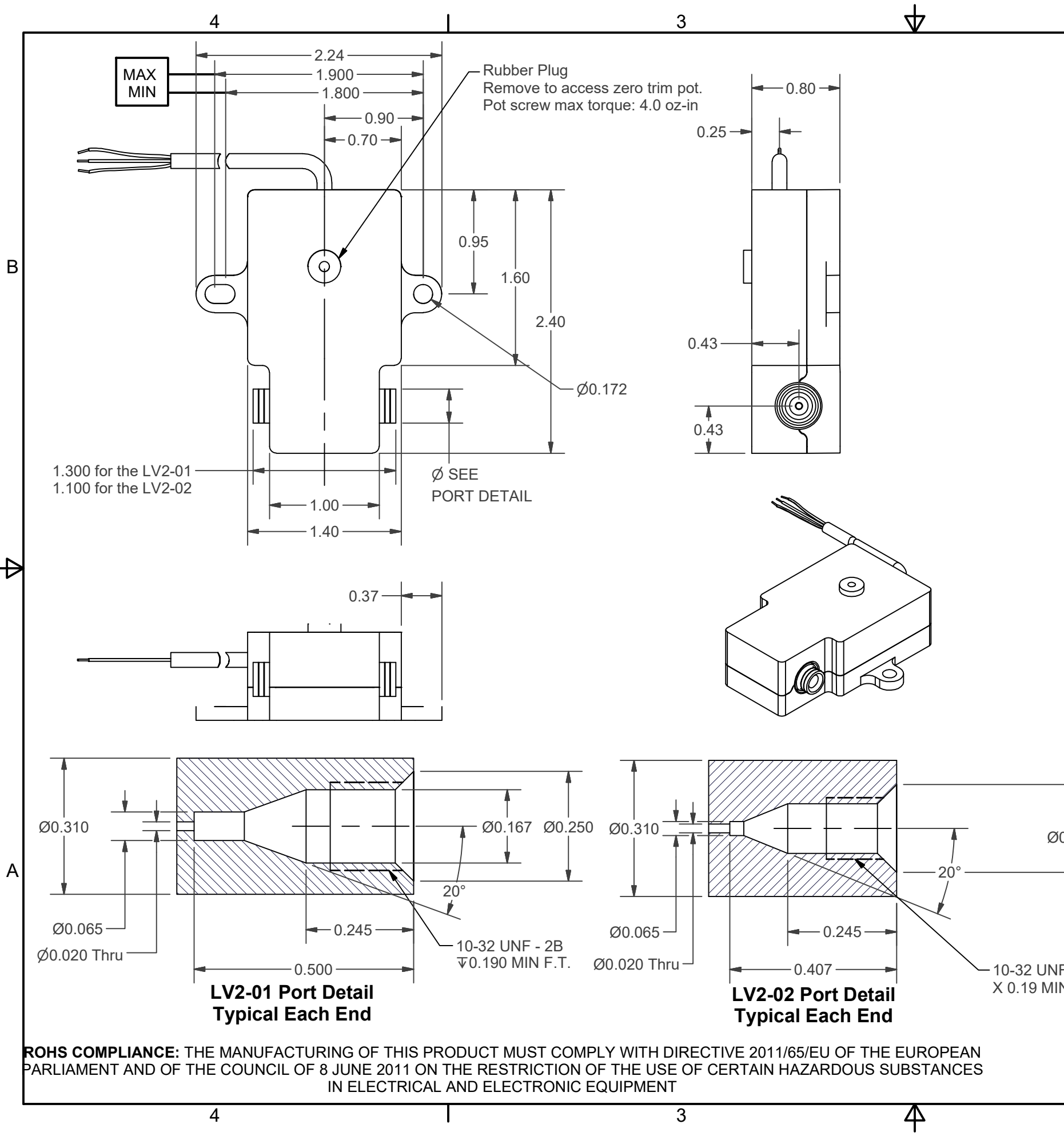
DRAWN BY: Lou DATE: 3/24/2008 MATERIAL:
 CHECKED BY: DATE: FINISH:



UNLESS OTHERWISE SPECIFIED DIMENSIONS ARE IN INCHES
 TOLERANCES ON:
 DECIMALS
 2 PLACE: ± 0.01
 3 PLACE: ± 0.005
 FRACTIONS: ± 1/64
 ANGLES: ± 0.25°

Model LV2 (Low Volume)
thru-FLO™ PRESSURE TRANSDUCER

SCALE	
SHEET 1 OF 1	
57747	
SIZE	REV
B	I
54309	



ROHS COMPLIANCE: THE MANUFACTURING OF THIS PRODUCT MUST COMPLY WITH DIRECTIVE 2011/65/EU OF THE EUROPEAN PARLIAMENT AND OF THE COUNCIL OF 8 JUNE 2011 ON THE RESTRICTION OF THE USE OF CERTAIN HAZARDOUS SUBSTANCES IN ELECTRICAL AND ELECTRONIC EQUIPMENT