

### A submersible level transmitter with a twist!

- The DLT series allows for a quick sensor swap without the removal of your installed cable.
- No special tools are required. Simply pull up sensor, hold the sensor head, then twist the sensor coupling sleeve till it is no longer engaged and just separate the two halves !
- The Viatran Model 591 DLT is a submersible transmitter specifically designed to meet the challenging demands of liquid measurement. The ability to detach the sensor can be an enormous time saver when or if it's ever needed.
- Available in ranges from 40 Inches W.C. to 835 Feet W.C. or equivalent in Meters or PSI.
- Polyurethane (PUR) cable is the most popular, Polyvinyl Chloride (PVC) & Fluorinated Ethylene-Propylene (FEP) cables are also offered.
- Liquid Level & Depth, Water & Wastewater, Lift Stations, Reservoirs & Dams, Rivers, Holding Ponds, Wells, In-ground/Above Ground Tanks, and Inventory Tank Gauging.



<b>Performance</b>	Pressure Ranges From .....0-40 Inches W.C up to 0-835 Feet W.C. or equivalent in Meters or PSI.
	Accuracy .....≤ +/-0.1% FSO [Combined Non-Linearity (BFSL), Hysteresis & Repeatability]
	Compensated Temperature Range ..... 32° to 158° F (0 to 70° C)
	Operating Temperature Range .....-4° to 158° F (-20 to 70° C) Note: Medium must not freeze near sensor
	Storage Temperature Range .....-13° to 158° F (-25 to 70° C)
	Long Term Stability (%FSO) ..... ≤ +/- 0.1% FSO / year at reference conditions
	Thermal Effect on Zero ..... ≤ +/- 0.8% FSO per 100° F
	Thermal Effect on Span ..... ≤ +/- 0.8% FSO per 100° F
<b>Electrical</b>	Output Signal .....4-20 mA
	Supply Voltage .....8-32 Vdc
	Power Supply Regulation .....< +/- .005% FSO per volt
	Circuit Protection .....Reverse polarity protected, CE marked
	RFI/EMI .....CE EMC compliant as per IEC EN 61326
	Voltage Spike Protection .....Withstand 1000 volt spike per EN 61000
	Response Time .....< 200mSec
<b>Mechanical</b>	Pressure Connection .....Protective POM cap
	Ingress Protection .....IP 68
	Overpressure Limit .....4x Minimum (> 525 Ft. range = 3.2x)
	Burst Pressure .....5x Minimum (> 525 Ft. range = 4.8x)
	Weight .....0.9 lbs. (without cable)
<b>Materials of Construction</b>	Housing .....316L stainless steel
	Sensor Diaphragm .....316L stainless steel
	O-ring Seals .....FKM or EPDM (customer specified)
	Protective Cap .....POM (Polyoxymethylene)

### Viatran

199 Fire Tower Drive  
Tonawanda, New York 14150 USA

Hotline: 1-800-688-0030

Phone: 1-716-629-3800

Fax: 1-716-693-9162

Email: [solutions@viatran.com](mailto:solutions@viatran.com)

Web: [www.viatran.com](http://www.viatran.com)



# Model 591 Detachable Level Transmitter

## How to Order

MODEL 591	UNITS OF PRESSURE (1 digit)	PRESSURE RANGE (4 digits)	SEALS (2 digits)	CABLE FORMAT (2 digits)	ACCURACY (1 digit)	CABLE LENGTH (3 digits)	OPTIONS (2 digits)
--------------	--------------------------------	------------------------------	---------------------	----------------------------	-----------------------	----------------------------	-----------------------

### Units of Pressure

F	Feet of Water Column
I	Inches of Water Column
M	Meters of Water Column
P	PSI (Whole numbers only)

### Pressure Range

Any Range from 0-40 Inches W.C up to 0-835 Feet W.C. Feet W.C. or equivalent can be specified at no additional cost.

\*Consult factory for range code

\*\*Please advise if specific gravity is other than 1

*Example of Four Digit Codes:*

Range	Four Digit Codes for Range
5	= 5 0 0 0 Insert Range Code 5000
10	= 1 0 0 1 Insert Range Code 1001
15	= 1 5 0 1 Insert Range Code 1501
50	= 5 0 0 1 Insert Range Code 5001
100	= 1 0 0 2 Insert Range Code 1002
250	= 2 5 0 2 Insert Range Code 2502
835	= 8 3 5 2 Insert Range Code 8352

### Seals

GK	Fluoroelastomer (FKM)
GD	Ethylene Propylene (EPDM)

### Cable Format

PC	Polyvinyl Chloride (PVC)
TL	Polyurethane Cable (PUR) *Stocked in select lengths for fast delivery
PA	Fluorinated Ethylene-Propylene (FEP)

### Accuracy

1	= $\pm$ 0.1% FSO (BFSL)
---	-------------------------

### Cable Length

XXX	Listed in Whole Meters Only (must be 3 digits - ex. 012 = 12 Meters)
-----	--

### Options

EA	Special Calibration Run
FA	Russian Metrology Certificate
PW	Calibrate item with meter/display
ZB	1/2" NPT Conduit Adapter



"ZB" Option

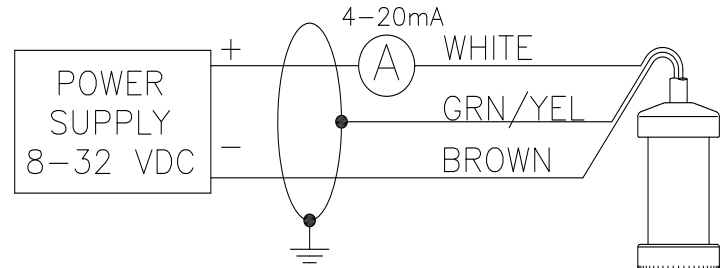
Information is accurate to the best of Viatran's knowledge. We reserve the right to change specifications at any time. Please contact Viatran for specific order inquiries.

# Model 591 Detachable Level Transmitter

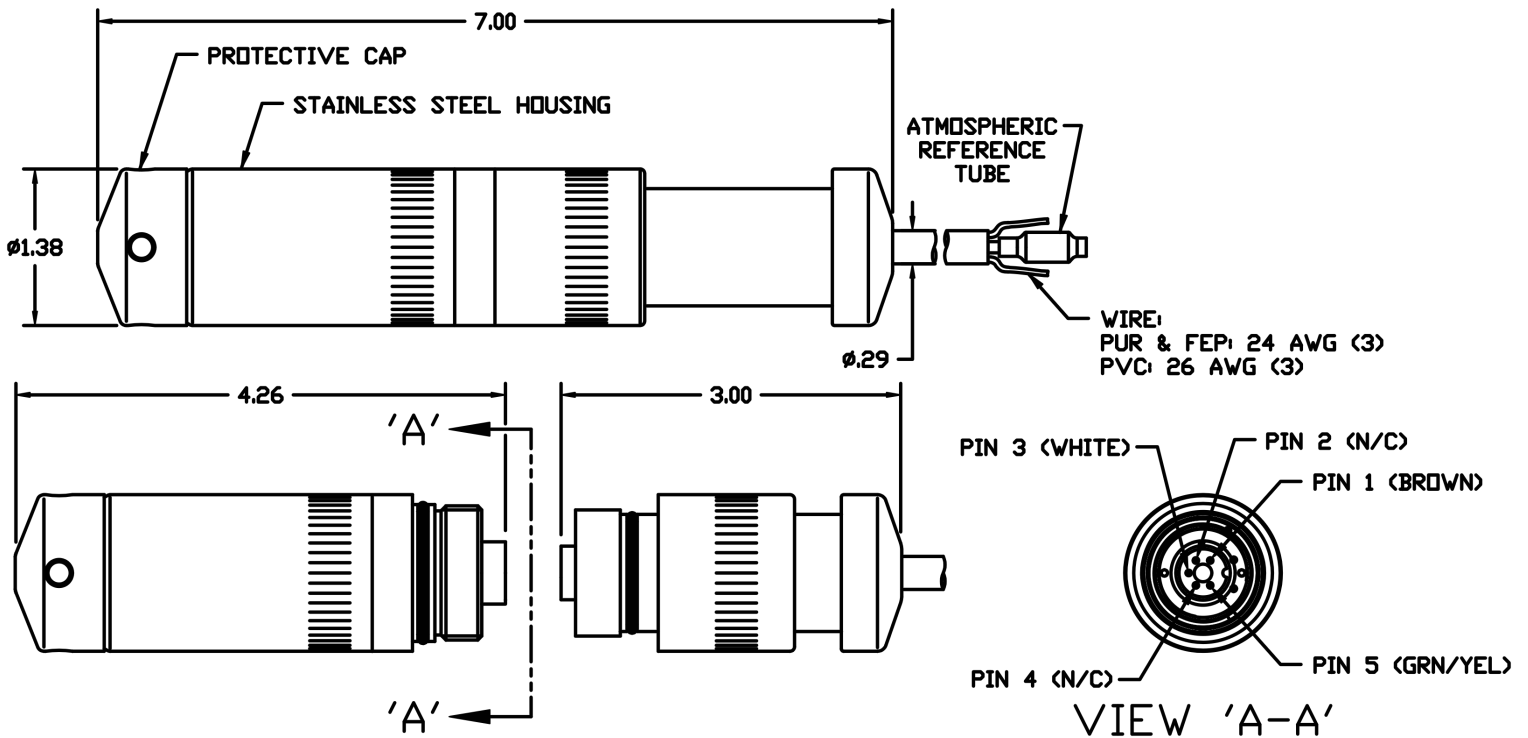
## Connection Diagrams & Wiring

The standard wiring of your Viatran detachable level transmitter is outlined below. The wiring information is also marked on your unit.

The 591 detachable level transmitter can be powered by a DC power supply ranging from 8 to 32 volts. See installation manual for more details.



WIRING		
WHITE	+SUPPLY	PIN 3
BROWN	-SUPPLY	PIN 1
GRN/YEL	SHIELD	PIN 5



Information is accurate to the best of Viatran's knowledge. We reserve the right to change specifications at any time. Please contact Viatran for specific order inquiries.