

Model 595

Detachable Level Transmitter



A submersible level transmitter with a twist!

- ◆ The DLT series allows for a quick sensor swap without the removal of your installed cable. No special tools are required. Simply pull up sensor, twist the sensor coupling sleeve till it is no longer engaged and then just separate the two halves!
- ◆ The Viatran Model 595 DLT is a submersible transmitter specifically designed to meet the challenging demands of liquid measurement. The ability to detach the sensor can be an enormous time saver when or if it's ever needed.
- ◆ Available in ranges from 0-16 Inches W.C. to 0-335 Feet W.C. or equivalent in Meters or PSI.
- ◆ Polyurethane (PUR) cable is the most popular, Polyvinyl Chloride (PVC) & Fluorinated Ethylene-Propylene (FEP) cables are also offered.
- ◆ Liquid Level & Depth, Water & Wastewater, Lift Stations, Reservoirs & Dams, Rivers, Holding Ponds, Wells, In-ground/Above Ground Tanks, and Inventory Tank Gauging.



Performance	Pressure Ranges From0-16 Inches W.C. to 0-335 Feet W.C. or equivalent in Meters or PSI.
	Accuracy≤ +/-0.35% FSO Standard [Combined Non-Linearity (BFSL), Hysteresis & Repeatability] ≤ +/- 0.25% FSO Improved
	Compensated Temperature Range32° to 122° F (0 to 50° C)
	Operating Temperature Range14° to 122° F (-10 to 50° C) Note: Medium must not freeze near sensor
	Storage Temperature Range14° to 122° F (-10 to 50° C)
	Long Term Stability (%FSO)≤ +/- 0.1% FSO / year at reference conditions
	Thermal Effect on Zero≤ +/- 0.1% FSO per 100° F
	Thermal Effect on Span≤ +/- 0.1% FSO per 100° F
Electrical	Output Signal4-20 mA
	Supply Voltage10-32 Vdc
	Power Supply Regulation< +/- .005% FSO per volt
	Circuit ProtectionReverse polarity protected, CE marked
	RFI/EMICE EMC compliant as per IEC EN 61326
	Voltage Spike ProtectionWithstand 1000 volt spike per EN 61000
	Response Time≤ 380mSec
Mechanical	Pressure ConnectionOpen Face
	Ingress ProtectionIP 68
	Overpressure Limit6x Minimum (≥ 134 Ft. range = 3.2x)
	Weight0.9 lbs. (without cable)
Materials of Construction	HousingPVC
	Sensor DiaphragmCeramic
	O-ring SealsFKM or EPDM (customer specified)



Model 595 Detachable Level Transmitter

How to Order

MODEL	UNITS OF PRESSURE	PRESSURE RANGE	SEALS	CABLE FORMAT	ACCURACY	CABLE LENGTH	OPTIONS
595	(1 digit)	(4 digits)	(2 digits)	(2 digits)	(1 digit)	(3 digits)	(2 digits)

Units of Pressure

F	Feet of Water Column
I	Inches of Water Column
M	Meters of Water Column
P	PSI (Whole numbers only)

Pressure Range

Any Range from 0-16 Inches W.C. up to 0-335 Feet W.C. or equivalent can be specified at no additional cost.

*Consult factory for range code

**Please advise if specific gravity is other than 1

Example of Four Digit Codes:

Range	Four Digit Codes for Range
5	= 5 0 0 0 Insert Range Code 5000
10	= 1 0 0 1 Insert Range Code 1001
15	= 1 5 0 1 Insert Range Code 1501
50	= 5 0 0 1 Insert Range Code 5001
100	= 1 0 0 2 Insert Range Code 1002
250	= 2 5 0 2 Insert Range Code 2502
835	= 8 3 5 2 Insert Range Code 8352

Seals

GK	Fluoroelastomer (FKM)
GD	Ethylene Propylene (EPDM)

Cable Format

PC	Polyvinyl Chloride (PVC)
TL	Polyurethane Cable (PUR) *Stocked in select lengths for fast delivery
PA	Fluorinated Ethylene-Propylene (FEP)

Accuracy

3	Standard Accuracy +/- 0.35% FSO (BFSL)
2	Improved Accuracy +/- 0.25% FSO (BFSL)

Cable Length

XXX Listed in Whole Meters Only (must be 3 digits - ex. 012 = 12 Meters)

Options

DV	SharkCage™ Removable Protective Cage
EA	Special Calibration Run
PW	Calibrate item with meter/display



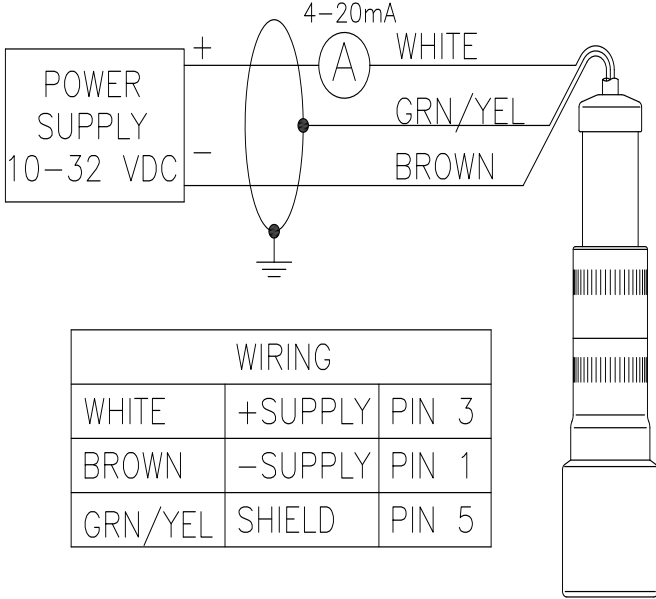
Information is accurate to the best of Viatran's knowledge. We reserve the right to change specifications at any time. Please contact Viatran for specific order inquiries.



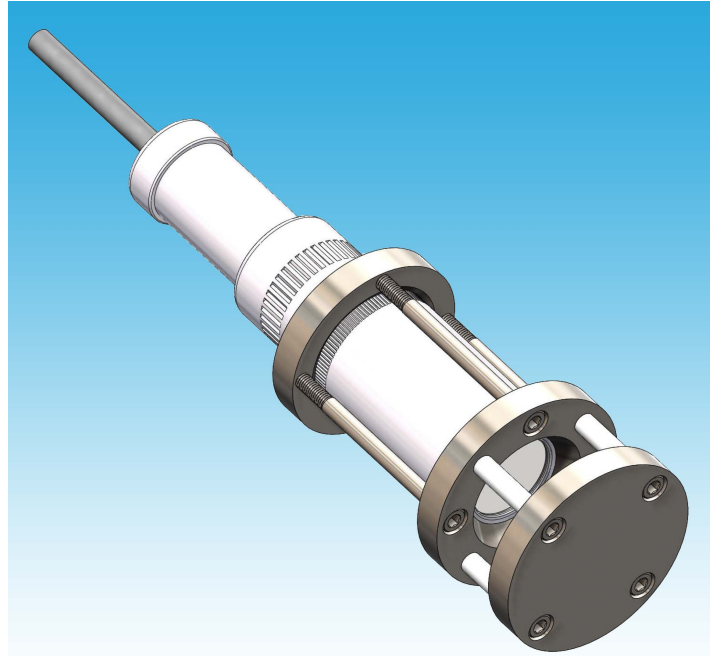
Model 595 Detachable Level Transmitter

Connection Diagrams & Wiring

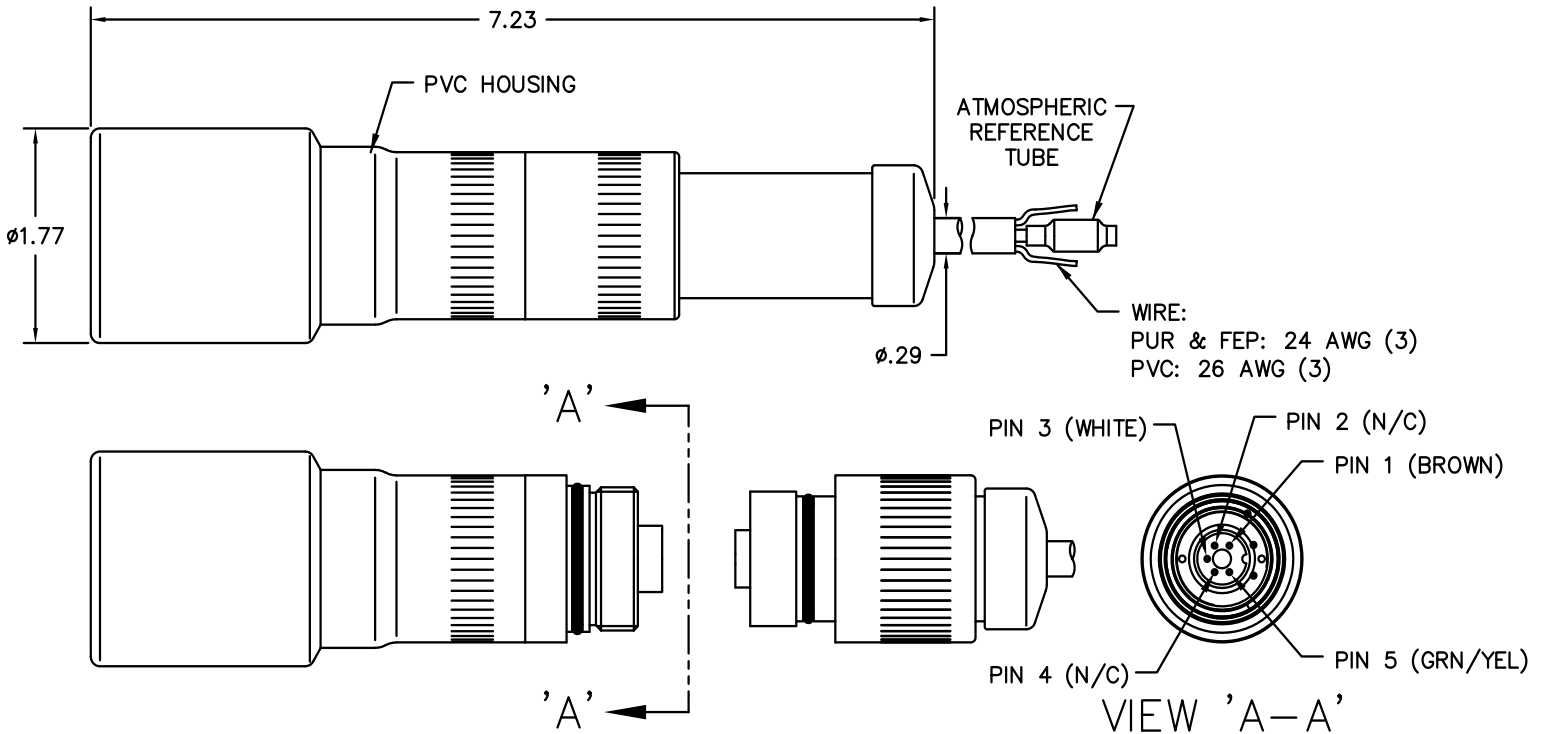
The standard wiring of your Viatran detachable level transmitter is outlined below. The wiring information is also marked on your unit.



SHARKCAGE™ (Option "DV" illustrated below)



The 595 detachable level transmitter can be powered by a DC power supply ranging from 10 to 32 volts. See installation manual for more details.



Information is accurate to the best of Viatran's knowledge. We reserve the right to change specifications at any time. Please contact Viatran for specific order inquiries.