

INTRODUCTION

The Dynisco model PT338 pressure transducers are designed to measure up to 10,000 psi. These models incorporate a 350-ohm, bonded foil strain gage Wheatstone Bridge. This proven technology provides an output of 0 – 3.0 mV/V (nominal), proportional to hydraulic pressure (within the specified error band). These transducers convert changes in applied pressure into corresponding changes in output voltage. This output signal can be fed into a wide range of readout instruments with millivolt sensitivity.

PRESSURE FITTING

The pressure fitting on the PT338 transducer is a 7/16-20 UNF-3A external port. The fitting is fabricated from high-strength stainless steel.

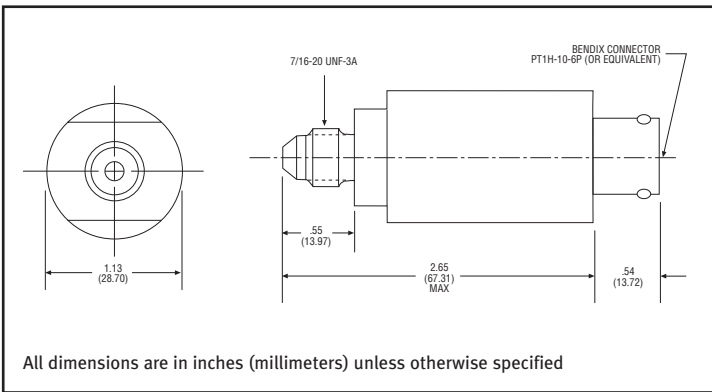


FIGURE 1: Schematic of the PT338

WIRING

All PT338's are equipped with a 6-pin, Bendix PT1H-10-6P (or equal) receptacle. The mating plug is a Bendix PTO6A-10-6S (SR) or equivalent, Dynisco P/N 711600, for general service or a Bendix PTO6W-10-6S or equivalent, Dynisco P/N 711610, weather-tight connector.

FUNCTION	PT338 (STD)	PT338-H12
Signal +	A	B
Signal -	B	C
Excitation +	C	A
Excitation -	D	D
Internal Cal Resistor	E	E
	F	F

WIRING (CONT.)

The full-scale output of the PT338 pressure transducer is 3 mV/V. The power supply should be well regulated with recommended excitation of 10 Vdc, 15 Vdc maximum to the transducer. Six conductor-shielded cable, such as Dynisco P/N 800024, should be used for transducer connections.

INTERNAL SHUNT CALIBRATION

Each transducer includes an internal shunt calibration ("R-Cal") function that is used to simulate a signal of 80% full scale, this is achieved by crossing pins E and F. This eliminates the need for cumbersome calibrated pressure source when scaling associated instrumentation.

TRANSDUCER REPAIR

Questions concerning warranty, repair cost, delivery, and requests for a RA# should be directed to the Dynisco Repair Department, 508-541-9400 or email: repair@dynisco.com. Please call for a return authorization number (RA#) before returning any product. Damaged transducers should be returned to:

Dynisco, LLC
 Repair Department RA#
 38 Forge Parkway, Franklin, MA 02038

TECHNICAL ASSISTANCE

Please call 800-221-2201 or 508-541-9400 or fax 508-541-9436.

WARRANTY

This Dynisco product is warranted under terms and conditions set forth in the Dynisco Web Pages. Go to www.dynisco.com and click on "Warranty" at the bottom of any page for complete details